



## Accent Cabinet

ITM. / ART. 1049405

Model # CSC72AC-1

ASSEMBLY INSTRUCTIONS

**IMPORTANT, RETAIN FOR FUTURE REFERENCE:  
READ CAREFULLY**

If you have any questions regarding assembly or if parts are missing, DO NOT return this item to the store where it was purchased. Please call our toll-free customer service number and have your instructions and parts list ready to provide the model name, part name or factory number:

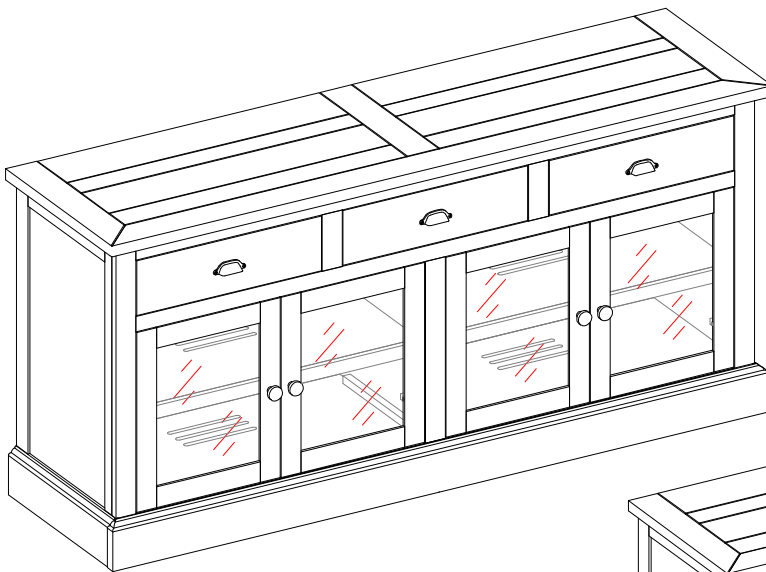
**1-877-494-2536 (English, French and Spanish)**

Pacific Standard Time: 8:30 a.m. - 4:30 p.m., Monday to Friday

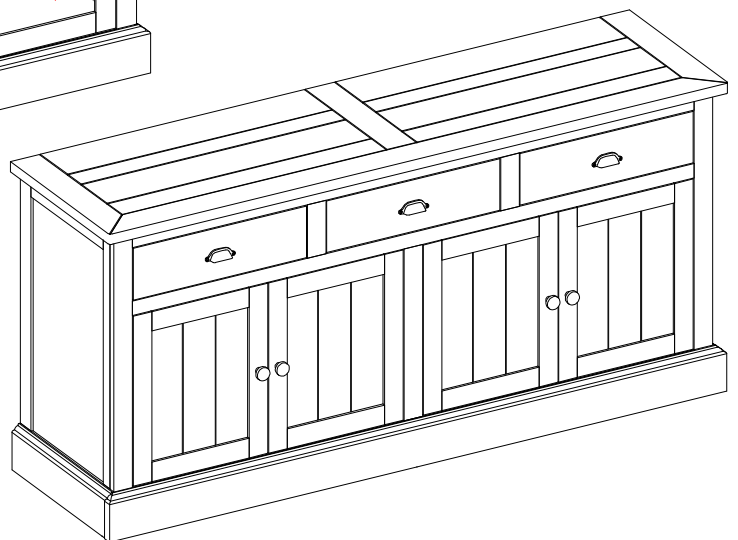
(In U.S., Canada, and Mexico only)

Or visit our website [www.baysidefurnishings.com](http://www.baysidefurnishings.com)

Or e-mail your request to [parts@baysidefurnishings.com](mailto:parts@baysidefurnishings.com)



OR



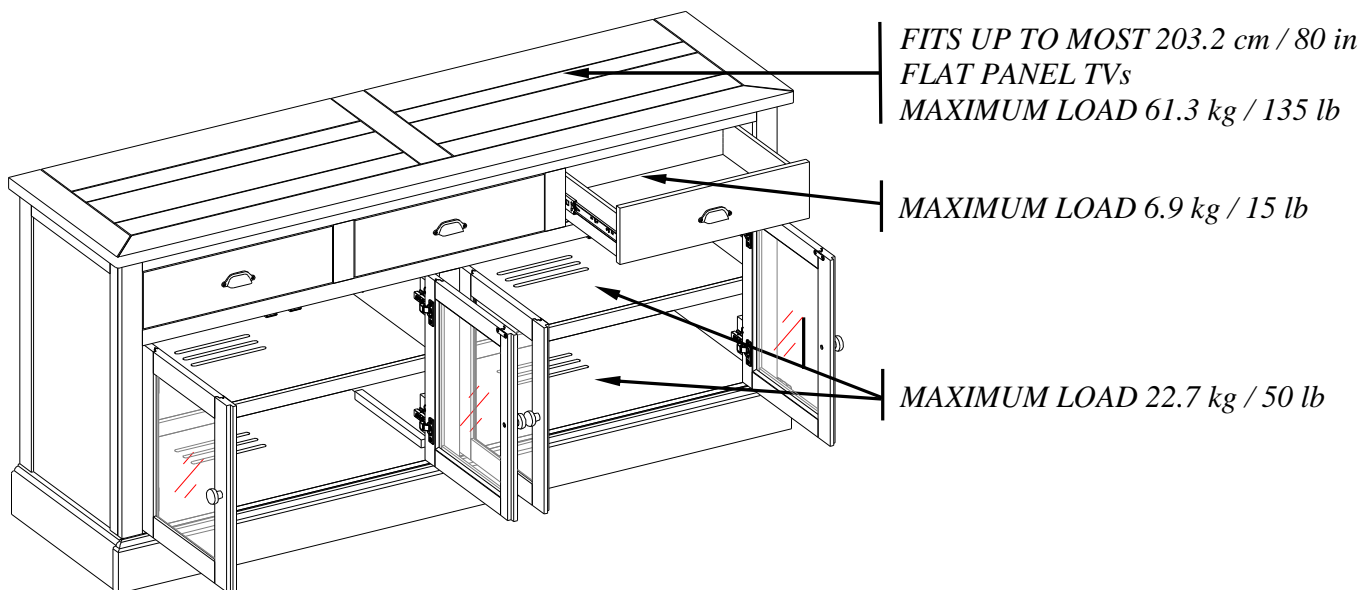
## GENERAL INFORMATION AND TIPS

1. This product is for indoor domestic use only.
2. Please read the Assembly Instructions prior to assembling this product.
3. To avoid damage, assemble the product on a non-abrasive surface such as a carpet surface.
4. Refer to your assembly manual for maximum weight capacities. Load the drawers and shelves from the bottom to the top. Place heavier items in lower drawers and shelves. Unload the drawers and shelves from the top to the bottom before moving the furniture.
5. Do not push furniture, especially on carpeted floor. Have someone help you lift the item and place it in its new location.

Please make sure you have all parts before beginning assembly. Do not fully tighten all bolts until you finish assembling all parts. Once assembled, go back and fully tighten all bolts. This will make the assembly easier. We recommend using two people for assembly.

## MAXIMUM RECOMMENDED WEIGHT LOADS

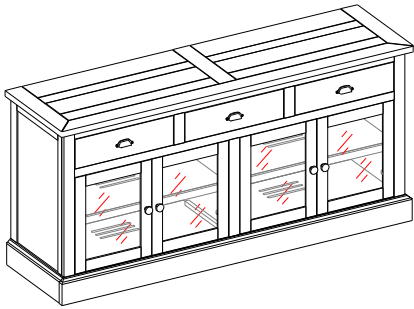
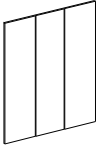

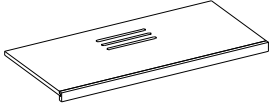

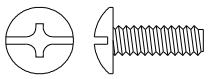

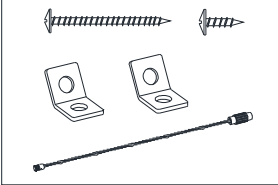
MANUFACTURER: Bayside Furnishings®  
CATALOGUE: Accent Cabinet (CSC72AC-1)  
MADE IN VIETNAM



### **⚠ WARNING**

THIS UNIT IS NOT INTENDED FOR USE WITH CRT TVS. USE ONLY WITH FLAT PANEL TVS AND AUDIO/VIDEO EQUIPMENT MEETING RECOMMENDED SIZE AND WEIGHT LIMITS. NEVER USE WITH LARGER/HEAVIER THAN RECOMMENDED FLAT PANEL TVS OR EQUIPMENT. TO AVOID INSTABILITY, PLACE FLAT PANEL TV IN THE CENTER OF THE UNIT; THE BOTTOM OF THE TELEVISION MUST BE ABLE TO REST ON THE SUPPORTING SURFACE OF THE UNIT WITHOUT OVER-HANGING THE EDGES. IMPROPERLY POSITIONED FLAT PANEL TVS, OR FLAT PANEL TVS INCLUDING OTHER EQUIPMENT THAT EXCEED RECOMMENDED SIZE AND WEIGHT LIMITS COULD FALL OFF OR BREAK THE UNIT, CAUSING POSSIBLE SERIOUS INJURY.

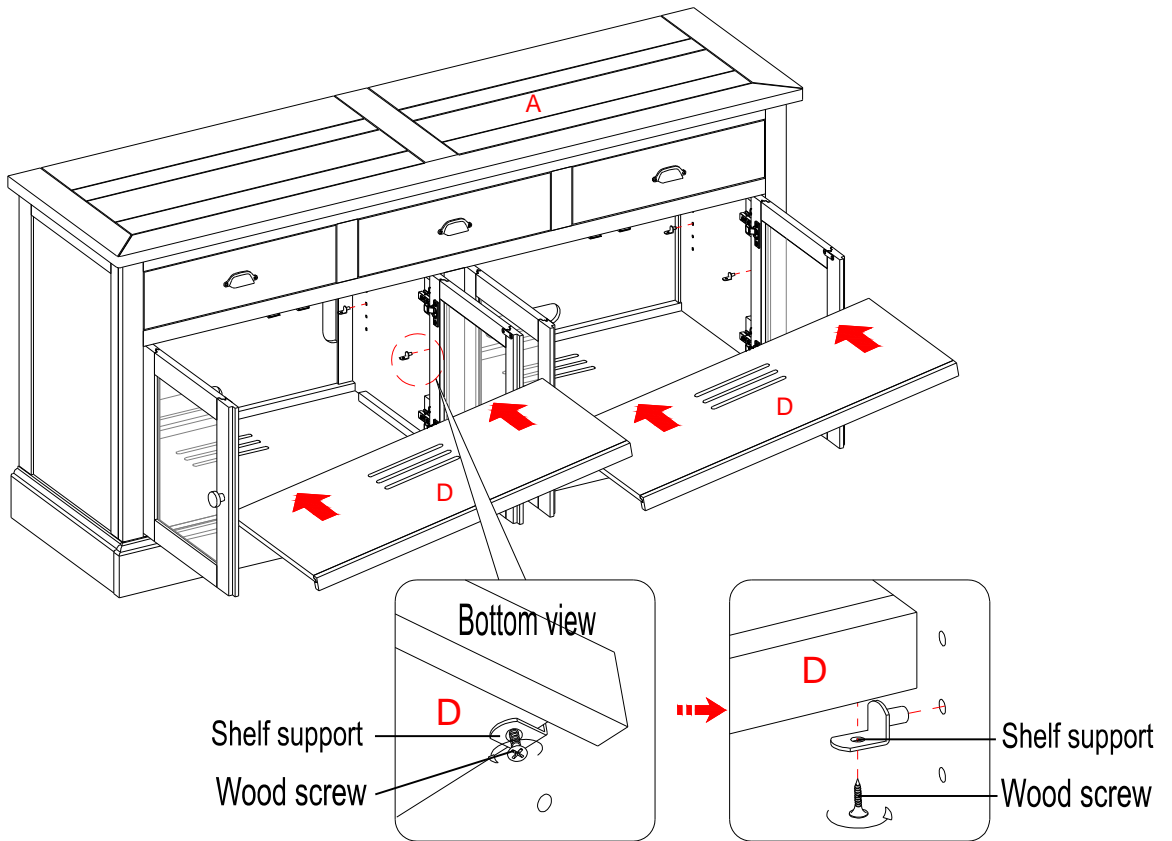
## Parts and Hardware List

PART #	PART DESCRIPTION	PART FIGURE	QUANTITY
A	Cabinet		1
B	Wood Door Panel		4
C	Glass Door Panel <i>(Pre-attached)</i>		4
D	Adjustable Shelf <i>(Pre-attached)</i>		2
E	Cable Wheel		2
AA	Small Bolt		4+1 extra
	Rubber Liner		1.5 m
	Tipping Restraint Hardware Kit		2 sets

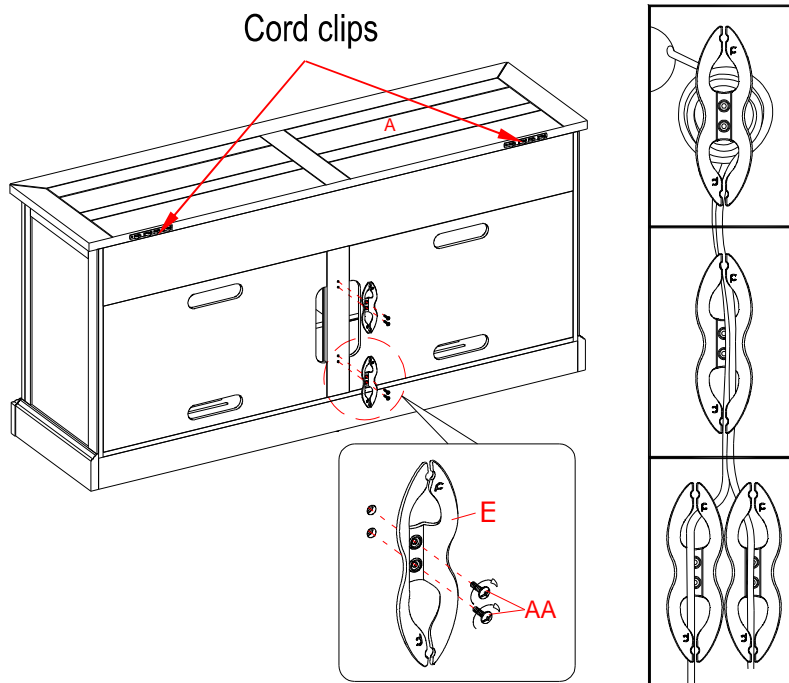
**NOTE:** 1 set Rubber Liner is prepared for the door panel replacement if needed.

**Additional tools required (not included):** Phillips screwdriver, power drill, and 3 mm / 0.1 in drill bit.

## Assembly Instructions

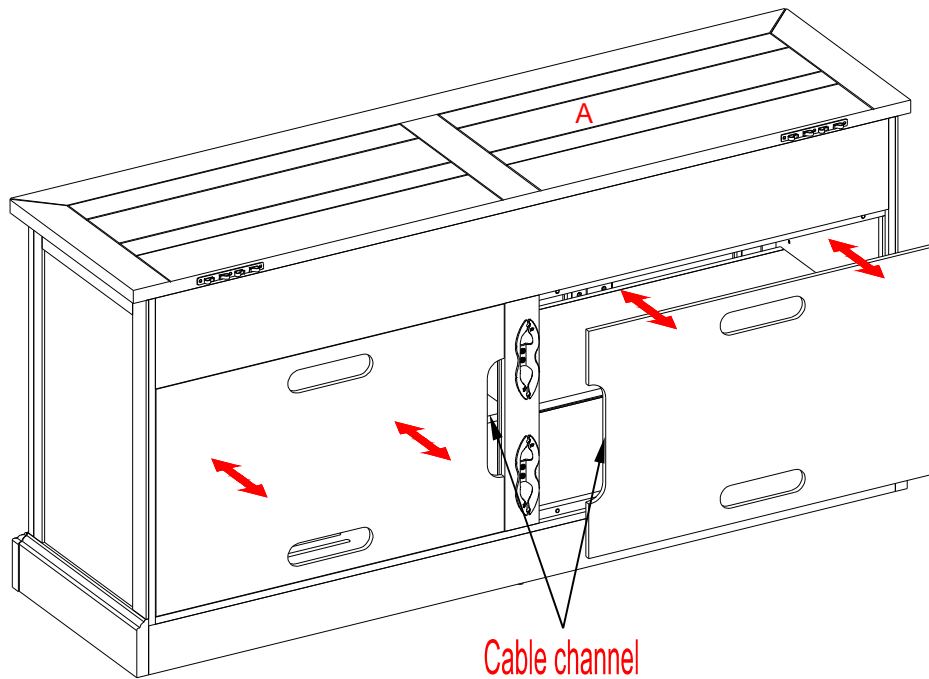


1. Ask for assistance to lift the unit upright. The adjustable shelves (D) are pre-installed for shipping. If the shelf position is not to your liking, adjust them to your desired location.

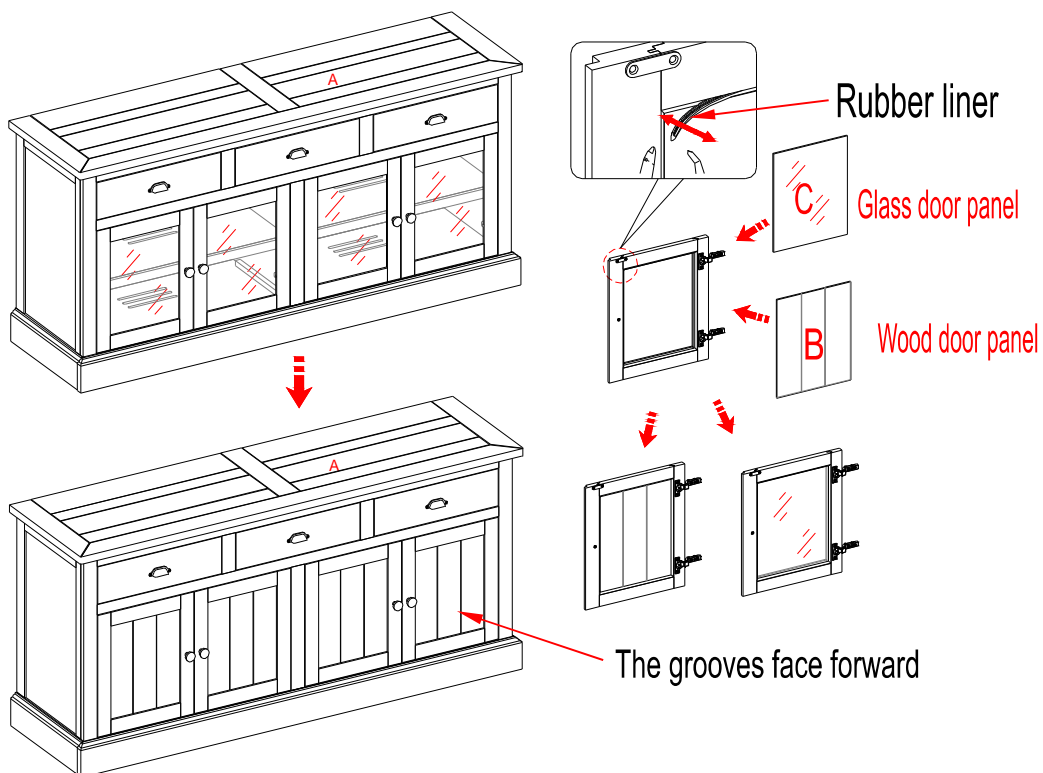


2. Attach two cable wheels (E) to the backside of the cabinet with two small bolts (AA) per cable wheel.

## Assembly Instructions

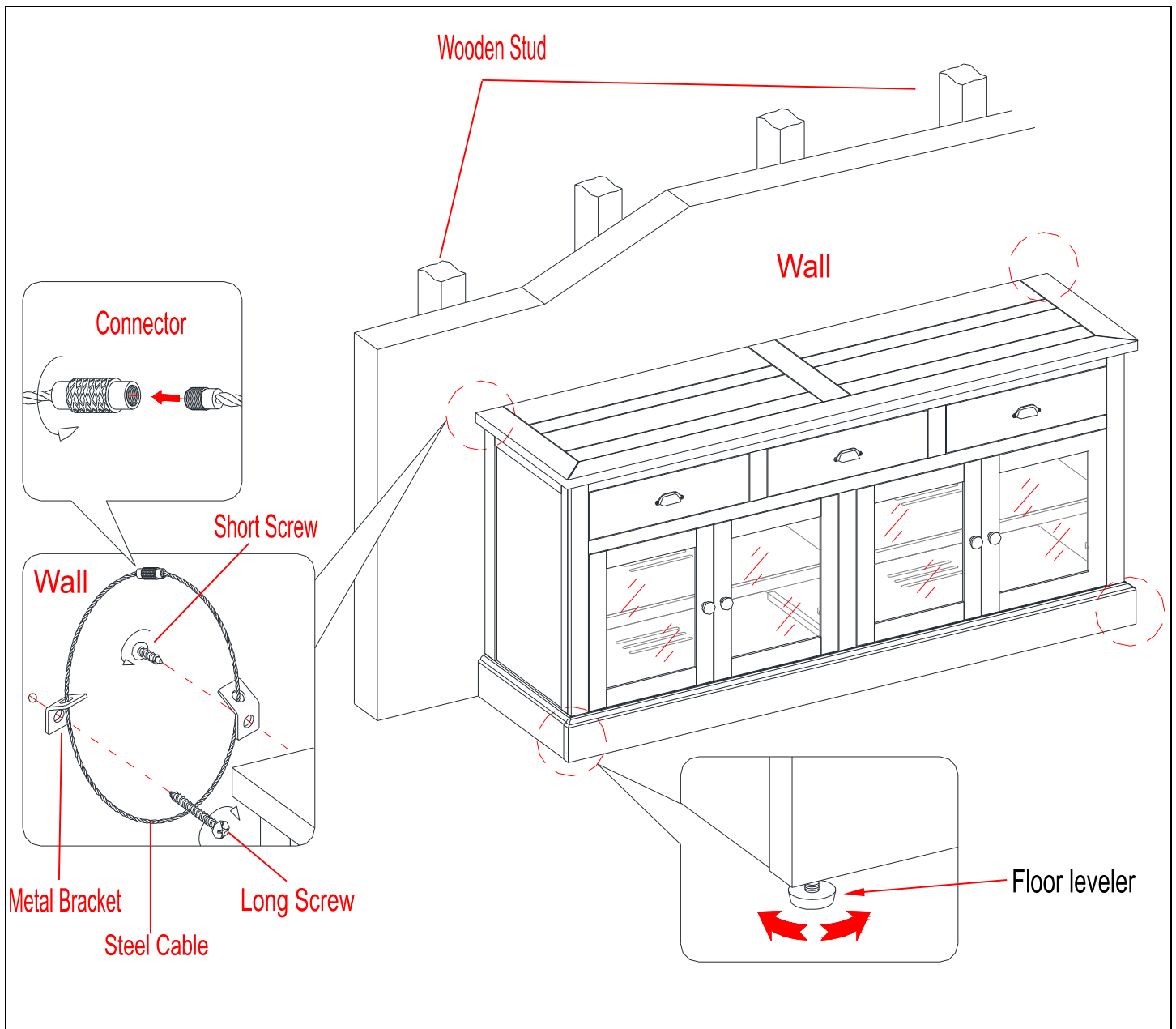


3. The vented rear panels are removable. Be sure to route the cables through the side cutout, instead of through the ventilation holes.



4. The doors of this unit are shipped with the glass panels (C). You can keep the doors as they are, or interchange the front panels with the wood door panels (B), depending on the desired configuration.

## Assembly Instructions



5. Position the cabinet (A) at the desired location against a wall. If necessary, adjust the pre-attached floor levelers to correct tilting and/or level the doors.
6. Follow the instructions printed on the plastic bag containing the tipping restraint hardware to attach the tip-over restraints to the unit and the wall.

***NOTE:*** The tipping restraint hardware included is for wooden stud wall construction. It must be attached to a wall stud. Depending upon your wall construction, different anchor hardware maybe required. Please contact your local hardware store for assistance. Young children can be seriously injured by tipping furniture. You must install the Tipping Restraint Hardware with the unit to prevent the unit from tipping, causing any accidents or damage. The tipping restraints are intended only as a deterrent, they are not a substitute for proper adult supervision. The tipping restraints are not earthquake restraints. If you wish to add the extra security of earthquake restraints, they must be purchased and installed separately.

7. The cabinet is now ready for use.

## Care and Maintenance

- Use a soft, clean cloth that will not scratch the surface when dusting.
- Use of furniture polish is not necessary. Should you choose to use polish, test first in an inconspicuous area.
- Using solvents of any kind on your furniture may damage the finish.
- Never use water to clean your furniture as it may cause damage to the finish.
- Always use coasters under beverage glasses and flowerpots.
- Liquid spills should be removed immediately. Using a soft, clean cloth, blot the spill gently. Avoid rubbing.
- Always use protective pads under hot dishes and plates. Heat can cause chemical changes that may create spotting within the furniture finish.
- In the event that your furniture is stained or otherwise damaged during use, we recommend that you call a professional to repair your furniture.
- Check bolts/screws periodically and tighten them if necessary.

## Further Advice about Wood Furniture Care

It is best to keep your furniture in a climate-controlled environment. Extreme temperature and humidity changes can cause fading, warping, shrinking and splitting of wood. It is advised to keep furniture away from direct sunlight as sun may damage the finish.

Proper care and cleaning at home will extend the life of your purchase. Following these important and helpful tips will enhance your furniture as it ages.

We hope you enjoy your purchase for many years.  
Thank you for your purchase!

## QUALITY GUARANTEE

We are confident that you will be delighted with your Bayside Furnishings® purchase.

Should this product be defective in workmanship or materials or fail under normal use, we will repair or replace it for up to one (1) year from date of purchase. Every Bayside Furnishings® product is designed to meet your highest expectations. We guarantee that you will immediately see the value of our fine furniture.

This warranty gives you specific legal rights and you may also have other rights, which vary from state to state or province to province.

AUSTRALIA: Our goods come with guarantees that cannot be excluded under the Australian Consumer Law. You are entitled to a replacement or refund for a major failure and for compensation for any other reasonably foreseeable loss or damage. You are also entitled to have the goods repaired or replaced if the goods fail to be of acceptable quality and the failure does not amount to a major failure.

Customer Service: 1-877-494-2536 (English, French, Spanish)  
Pacific Standard Time: 8:30 a.m. - 4:30 p.m., Monday to Friday  
(In U.S., Canada, and Mexico only)

**[www.baysidefurnishings.com](http://www.baysidefurnishings.com)**

MADE IN VIETNAM / FABRIQUÉ AU VIETNAM / HECHO EN VIETNAM