



Writing Desk

ITM. / ART. 722459

Model # CSC48WD-2PC

ASSEMBLY INSTRUCTIONS

**IMPORTANT, RETAIN FOR FUTURE REFERENCE:
READ CAREFULLY**

If you have any questions regarding assembly or if parts are missing, DO NOT return this item to the store where it was purchased. Please call our toll-free customer service number and have your instructions and parts list ready to provide the model name, part name or factory number:

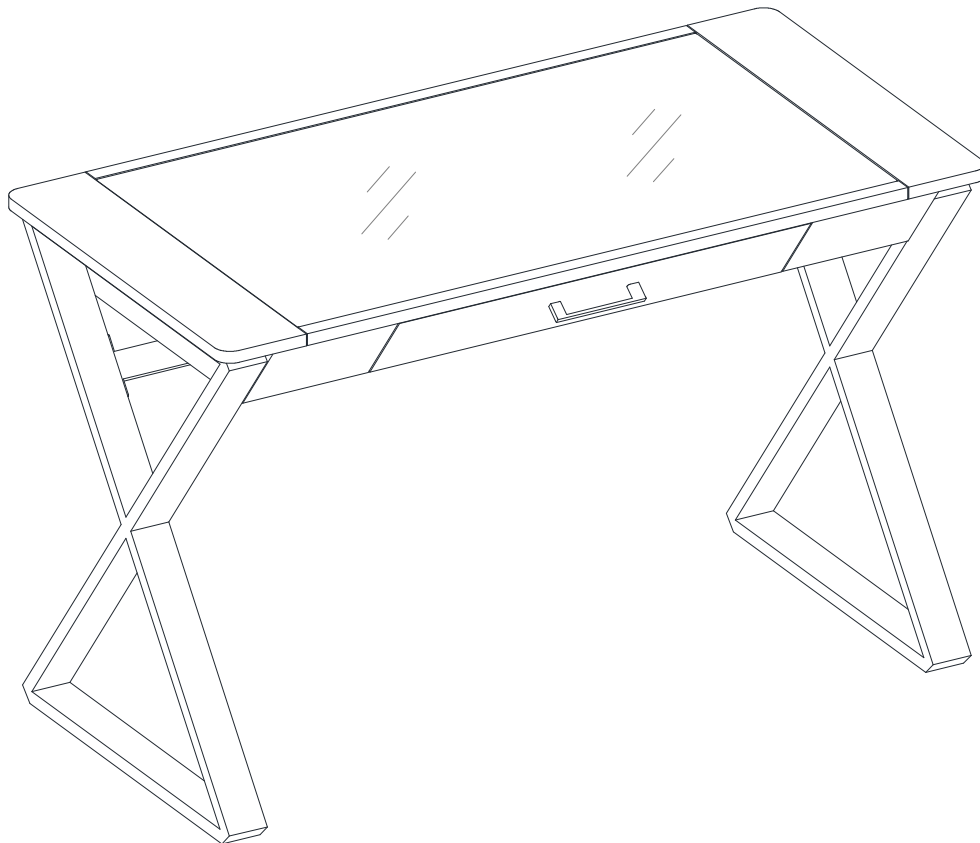
1-877-494-2536 (English, French and Spanish)

Pacific Standard Time: 8:30 a.m. - 4:30 p.m., Monday to Friday

(In U.S., Canada, and Mexico only)

Or visit our website www.baysidefurnishings.com

For customer service outside of North America, please e-mail your request to parts@baysidefurnishings.com



GENERAL INFORMATION AND TIPS

1. This product is for indoor domestic use only.
2. Please read the Assembly Instructions prior to assembling this product.
3. To avoid damage, assemble the product on a non-abrasive surface such as a carpet surface.
4. Refer to your assembly manual for maximum weight capacities. Unload drawer before moving the furniture.
5. Do not push furniture, especially on carpeted floor. Have someone help you lift the item and place it in its new location. Remove any glass tops, shelves before moving.

Please make sure you have all parts before beginning assembly. Do not fully tighten all bolts until you finish assembling all parts. Once assembled, go back and fully tighten all bolts. This will make the assembly easier. We recommend using two people for assembly.

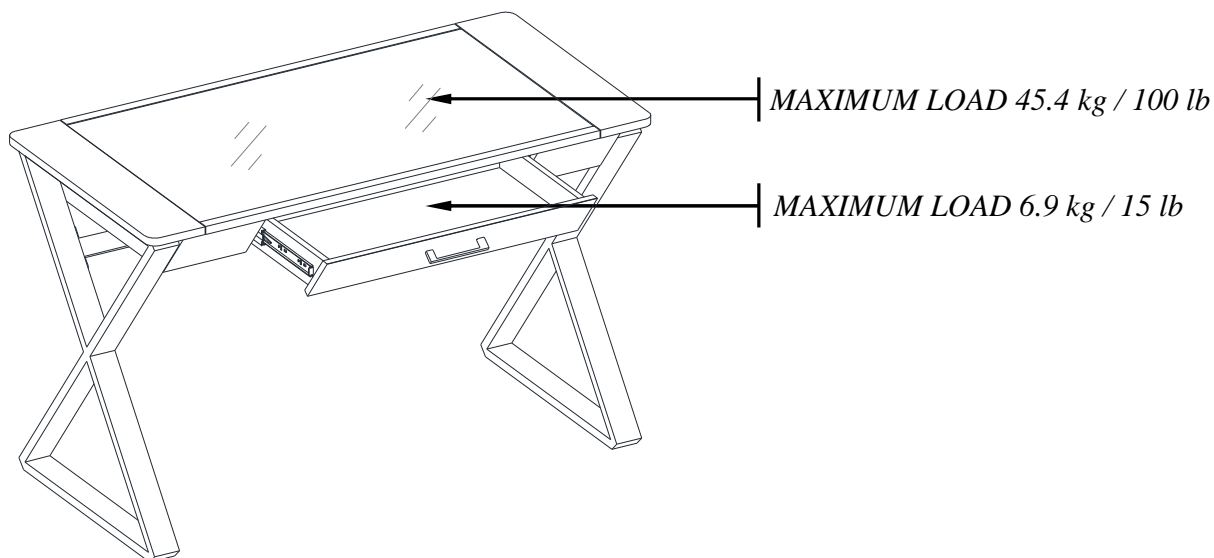
GLASS INFORMATION

If the glass is chipped or broken, stop using the product and consult the manufacturer or supplier.

- 1) Do not place very hot or very cold items on the glass surface unless adequately thick tablemats are used to prevent such items from coming into contact with the glass.
- 2) Do not sit or stand upon the glass surface.
- 3) Do not use the glass as a chopping surface. Do not strike the glass with hard or pointed items.
- 4) When cleaning glass panels use a damp cloth with soft soap if necessary; do not use washing powders or any other substances containing abrasive since these substances scratch glass.

MAXIMUM RECOMMENDED WEIGHT LOADS

MANUFACTURER: Bayside Furnishings®
CATALOG: Writing Desk (CSC48WD-2PC)
MADE IN CHINA



⚠ WARNING THIS UNIT IS INTENDED FOR USE ONLY WITH THE MAXIMUM WEIGHTS INDICATED. USE WITH LOAD HEAVIER THAN THE MAXIMUM WEIGHTS INDICATED MAY RESULT IN INSTABILITY, CAUSING POSSIBLE INJURY.

FURNITURE POWER DISTRIBUTION CENTER

IMPORTANT SAFETY INSTRUCTIONS

Carefully read all instructions for installing and operating fixture.

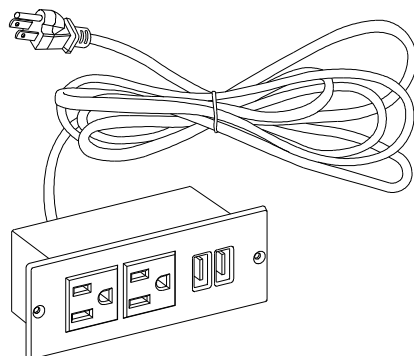
IF YOU HAVE ANY QUESTIONS REGARDING THE PROPER INSTALLATION CONSULT A QUALIFIED ELECTRICIAN.



TO REDUCE THE RISK OF FIRE, ELECTRICAL SHOCK OR INJURY TO PERSONS, PLEASE FOLLOW THE NEXT:

- Use only insulated staples or plastic ties (not included) to secure the cords.
- Route and secure cords so that they will not be pinched or damaged when the desk is pushed to the wall.
- Make sure cord is not pinched between desk and floor.
- Use the unit for indoor use only.
- Do not use an extension cord to connect this unit to a wall outlet.
- Use power strip with integral over current protection to supply other electrical devices or accessories in desk.
- This unit must be plugged into a properly grounded outlet.
- The socket-outlet should be installed near the equipment and should be easily accessible.
- Maximum load of connected equipment cannot exceed a total of 12 amps and 120 volts.
- Do not open or disassemble this unit for any reason.

SAVE THESE INSTRUCTIONS



Furniture Power Distribution Unit User Guide

Please read this user guide before installing and using your power distribution center.

INTRODUCTION

The integrated power and USB center offers 480 Mbps high transmission rate and can connect up to three devices, such as a digital camera, MP3 player, cell phone or wireless mouse.

SPECIFICATIONS

cULus listed, rated for: 120 V ac, 12 A, 60 Hz

NOTES

- To reach USB 2.1 high speed, your computer or host adapter card must support USB 2.1. This hub is also backwards compatible with USB 1.1.
- When using the hub with a computer that has a version 1.1 USB interface, all of the devices attached to the hub will run at USB 1.1 speed.



Product: Furniture Power Distribution Unit
Model No: TY112-USB
Company: Whalen Furniture Manufacturing

NOTE: This equipment has been tested and found to comply with the limits for a Class B digital device, pursuant to part 15 of the FCC Rules. These limits are designed to provide reasonable protection against harmful interference in a residential installation. This equipment generates, uses and can radiate radio frequency energy and, if not installed and used in accordance with the instructions, may cause harmful interference to radio communications. However, there is no guarantee that interference will not occur in a particular installation.

If this equipment does cause harmful interference to radio or television reception, which can be determined by turning the equipment off and on, the user is encouraged to try to correct the interference by one or more of the following measures:

- Reorient or relocate the receiving antenna.
- Increase the separation between the equipment and receiver.
- Connect the equipment into an outlet on a circuit different from that to which the receiver is connected.
- Consult the dealer or an experienced radio/TV technician for help.

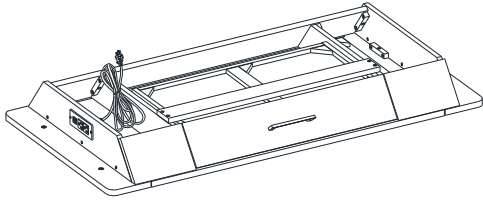
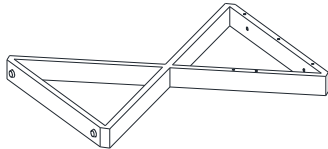
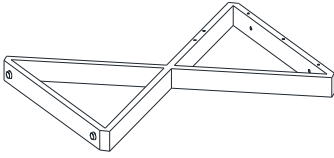
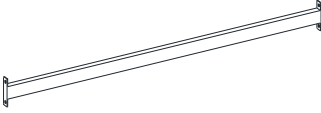
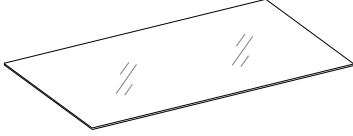
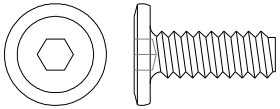
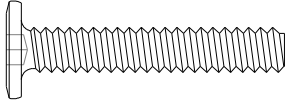

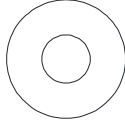
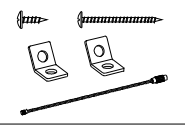

This device complies with Part 15 of the FCC Rules. Operation is subject to the following two conditions: (1) This device may not cause harmful interference, and (2) this device must accept any interference received, including interference that may cause undesired operation.

This Class B digital apparatus complies with Canadian ICES-003.

WARNINGS

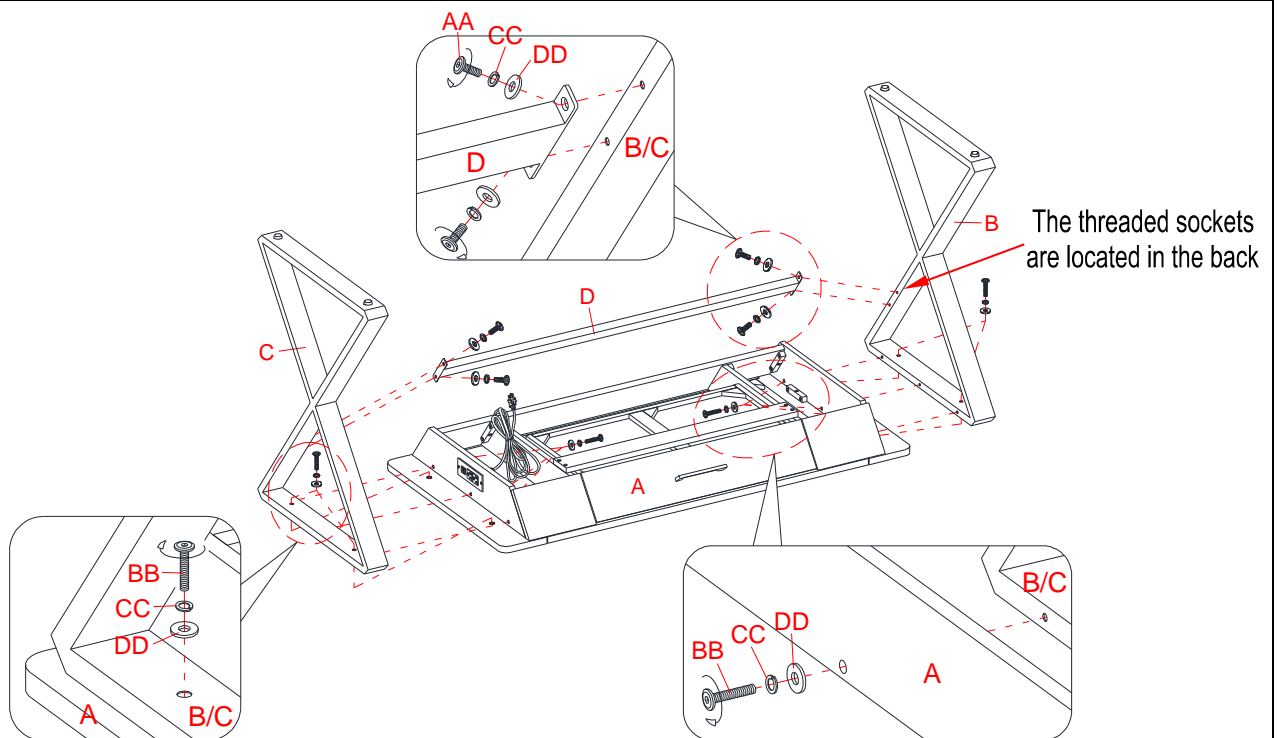
- ! Your hub automatically shuts off any port with a low or excessive current.
- ! If USB Hub Current Limit Exceeded appears on your screen, disconnect the affected USB device, click Reset on the screen, and reconnect the device.
- ! If one of your hub ports is disabled, but USB Hub Current Limit Exceeded does not appear:
 - Disconnect and reconnect the affected device.
 - If the port still does not work, disconnect the hub and the device, and then reconnect.
- ! Keep your desktop hub dry; if it gets wet, wipe it dry immediately.
- ! Do not modify or tamper with your desktop hub's internal components. It may cause a malfunction and invalidate its warranty.
- ! Modifications not approved by the party responsible for compliance could void user's authority to operate the equipment.

Parts and Hardware List

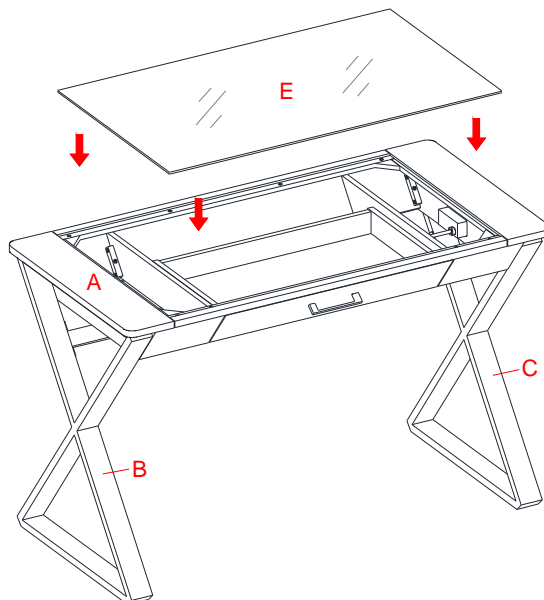
PART #	PART DESCRIPTION	PART FIGURE	QUANTITY
A	Desk Top		1
B	Left Leg		1
C	Right Leg		1
D	Stretcher		1
E	Top Glass		1
AA	Bolt		4+1 extra
BB	Bolt		10+1 extra
CC	Lock Washer		14+1 extra
DD	Flat Washer		14+1 extra
	Tipping Restraint Hardware Kit		1 set
	Hex-key Wrench		1

Additional tools required (not included): Phillips screwdriver, stud finder, power drill, and 3 mm / 0.1 in drill bit.

Assembly Instructions



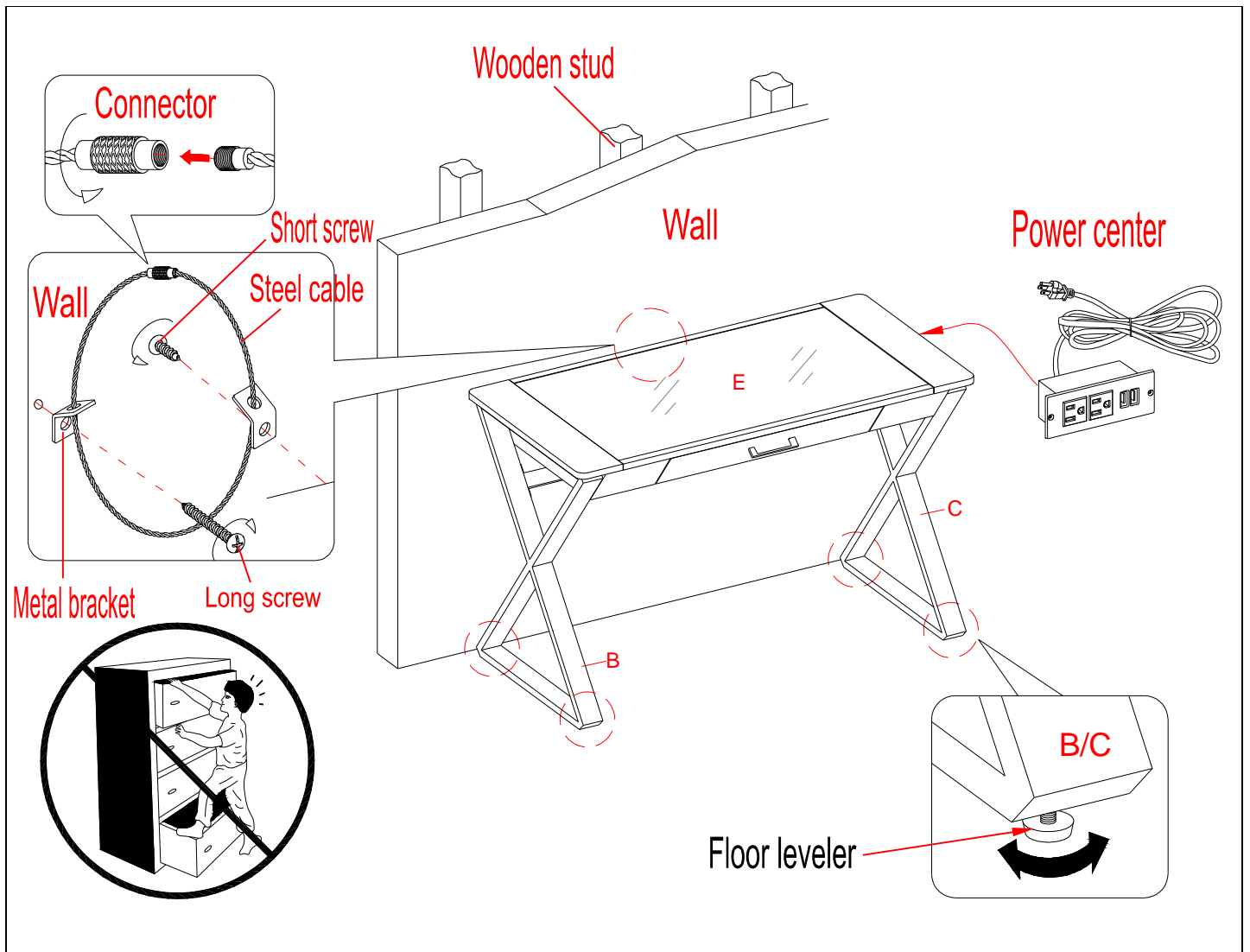
1. Place the desk top (A) upside down on a level and protective surface. Align and attach the left leg (B) to the desk top (A) with five bolts (BB) and five washers (CC and DD).
2. Attach the stretcher (D) to the left leg (B) by inserting two bolts (AA) with the washers (CC and DD) through the end bracket holes and screw into the left leg (B).
3. Repeat the same procedure to attach the right leg (C) at the opposite end.



4. Ask for assistance to lift the unit upright and position at your desired location.
5. Position the top glass (E), with the black side of glass down, onto the desk top (A).

NOTE: If the glass top is scratched, you can minimize the appearance of the scratch by using a **BLACK** marker and filling in scratched area from underneath.

Assembly Instructions



6. Position the desk at the desired location against a wall and adjust the pre-attached floor levelers at the bottom of legs (B and C) to level the unit.

NOTE: When adjusting the height and tilting the unit make sure that you ask the help of a friend to prevent the glass from falling.

7. Follow the instructions printed on the plastic bag containing the tipping restraint hardware to attach the tip-over restraints to the unit and the wall.

NOTE: The tipping restraint hardware included is for wooden stud wall construction. It must be attached to a wall stud. Depending upon your wall construction, different anchor hardware maybe required. Please contact your local hardware store for assistance. Young children can be seriously injured by tipping furniture. You must install the Tipping Restraint Hardware with the unit to prevent the unit from tipping, causing any accidents or damage. The tipping restraints are intended only as a deterrent, they are not a substitute for proper adult supervision. The tipping restraints are not earthquake restraints. If you wish to add the extra security of earthquake restraints, they must be purchased and installed separately.

8. The integrated power center is pre-attached at the right side of desk top (A) for your convenience. Plug the power center into a properly grounded outlet.

Care and Maintenance

- Use a soft, clean cloth that will not scratch the surface when dusting.
- Use of furniture polish is not necessary. Should you choose to use polish, test first in an inconspicuous area.
- Using solvents of any kind on your furniture may damage the finish.
- Never use water to clean your furniture as it may cause damage to the finish.
- Always use coasters under beverage glasses and flowerpots.
- Liquid spills should be removed immediately. Using a soft, clean cloth, blot the spill gently. Avoid rubbing.
- Always use protective pads under hot dishes and plates. Heat can cause chemical changes that may create spotting within the furniture finish.
- In the event that your furniture is stained or otherwise damaged during use, we recommend that you call a professional to repair your furniture.
- Check bolts/screws periodically and tighten them if necessary.

Further Advice about Wood Furniture Care

It is best to keep your furniture in a climate-controlled environment. Extreme temperature and humidity changes can cause fading, warping, shrinking and splitting of wood. It is advised to keep furniture away from direct sunlight as sun may damage the finish.

Proper care and cleaning at home will extend the life of your purchase. Following these important and helpful tips will enhance your furniture as it ages.

We hope you enjoy your purchase for many years.

Thank you for your purchase!

QUALITY GUARANTEE

We are confident that you will be delighted with your Bayside Furnishings® purchase.

Should this product be defective in workmanship or materials or fail under normal use, we will repair or replace it for up to one (1) year from date of purchase. Every Bayside Furnishings® product is designed to meet your highest expectations. We guarantee that you will immediately see the value of our fine furniture.

This warranty gives you specific legal rights and you may also have other rights which vary from State to State or province to province.

AUSTRALIA: Our goods come with guarantees that cannot be excluded under the Australian Consumer Law. You are entitled to a replacement or refund for a major failure and for compensation for any other reasonably foreseeable loss or damage. You are also entitled to have the goods repaired or replaced if the goods fail to be of acceptable quality and the failure does not amount to a major failure.

Customer Service: 1-877-494-2536 (English, French and Spanish)

Pacific Standard Time: 8:30 a.m. - 4:30 p.m., Monday to Friday

(In U.S., Canada, and Mexico only)

www.baysidefurnishings.com

MADE IN CHINA / FABRIQUÉ EN CHINE / HECHO EN CHINA