



7-piece Counter-Height Round Drop-leaf Dining Set

ITM. / ART. 2000708

Model # CSC7PCHD-1N

ASSEMBLY INSTRUCTIONS

IMPORTANT, RETAIN FOR FUTURE

REFERENCE: READ CAREFULLY

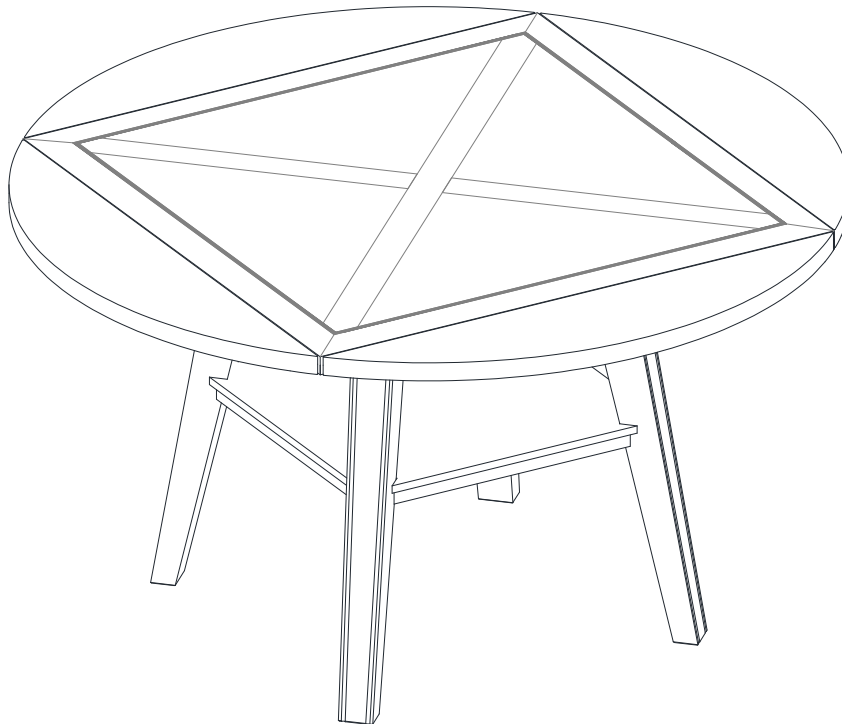
If you have any questions regarding assembly or if parts are missing, DO NOT return this item to the store where it was purchased. Please call our toll-free customer service number and have your instructions and parts list ready to provide the model name, part name or factory number:

1-877-494-2536 (English, French and Spanish)

Pacific Standard Time: 8:30 a.m. - 4:30 p.m., Monday to Friday
(In U.S. and Canada only)

Or visit our website www.baysidefurnishings.com

For customer service outside of North America, please e-mail your request to
parts@baysidefurnishings.com




GENERAL INFORMATION AND TIPS

1. This product is for indoor domestic use only.
2. Please read the Assembly Instructions prior to assembling this product.
3. To avoid damage, assemble the product on a non-abrasive surface such as a carpet surface.
4. Make sure all bolts and screws are tightly fastened before the unit is used.
5. Check that all bolts, screws and knobs are tight at least every 3 months or as needed
6. Refer to your assembly manual for maximum weight capacities.
7. Do not push furniture, especially on carpeted floor. Have someone help you lift the item and place it in its new location.

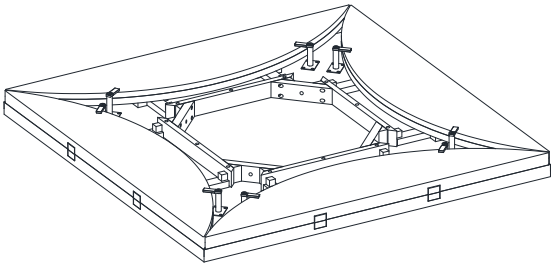
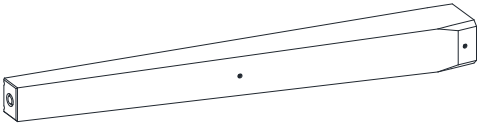
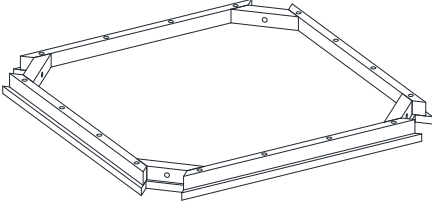
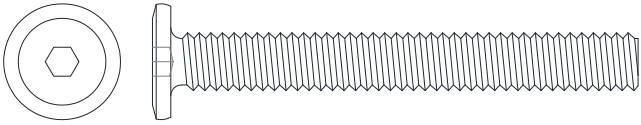
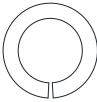
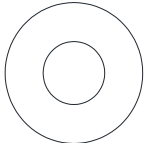
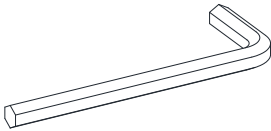
Please make sure you have all parts before beginning assembly. Do not fully tighten all bolts until you finish assembling all parts. Once assembled, go back and fully tighten all bolts. This will make the assembly easier. We recommend using two people for assembly.

MAXIMUM RECOMMENDED WEIGHT LOADS

1. Maximum load weight on table is 181.4 kg / 400 lb

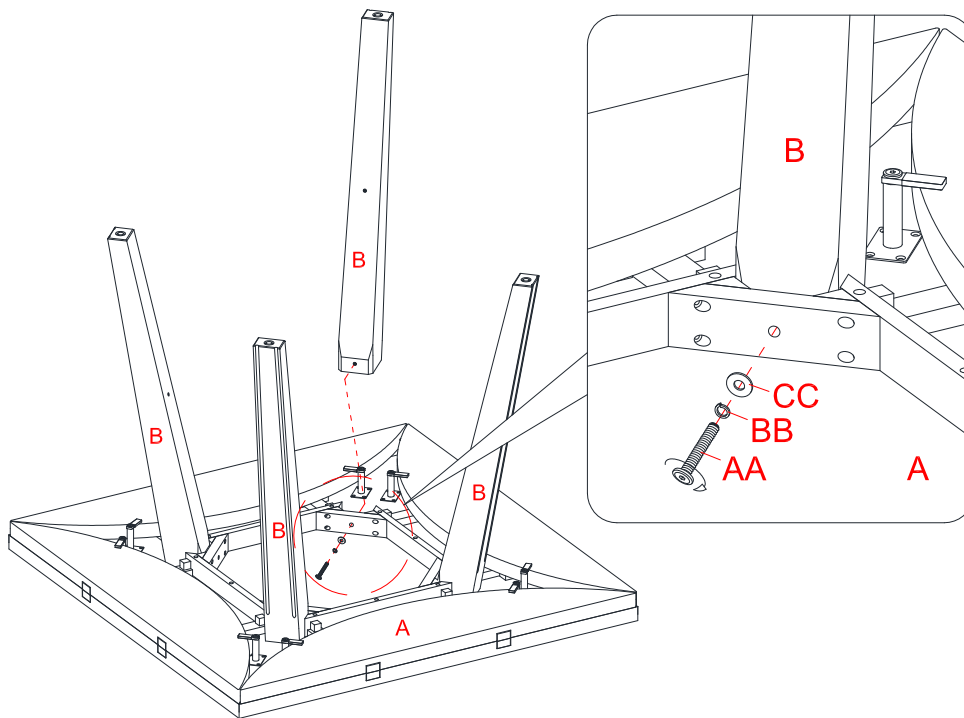
 WARNING THIS UNIT IS INTENDED FOR USE ONLY WITH THE MAXIMUM WEIGHTS INDICATED. USE WITH LOAD HEAVIER THAN THE MAXIMUM WEIGHTS INDICATED MAY RESULT IN INSTABILITY CAUSING POSSIBLE INJURY.

Parts and Hardware List

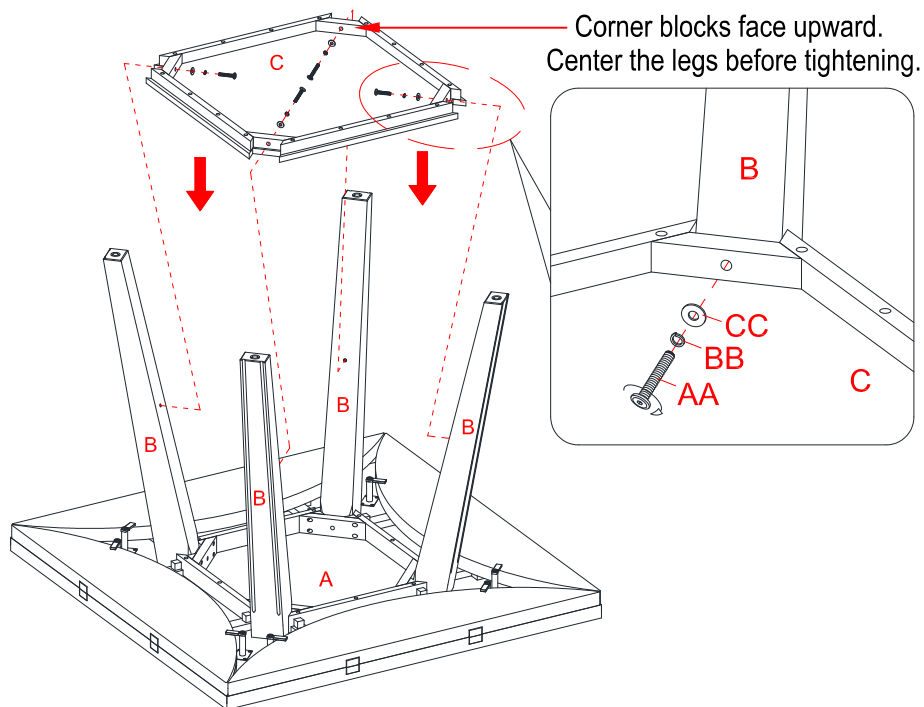
PART #	PART DESCRIPTION	PART FIGURE	QUANTITY
A	Table Top		1
B	Table Leg		4
C	Shelf Panel		1
AA	Bolt		8+1 extra
BB	Lock Washer		8+1 extra
CC	Flat Washer		8+1 extra
	Hex-key Wrench		1

Tools required: Hex-key wrench (included).

Assembly Instructions

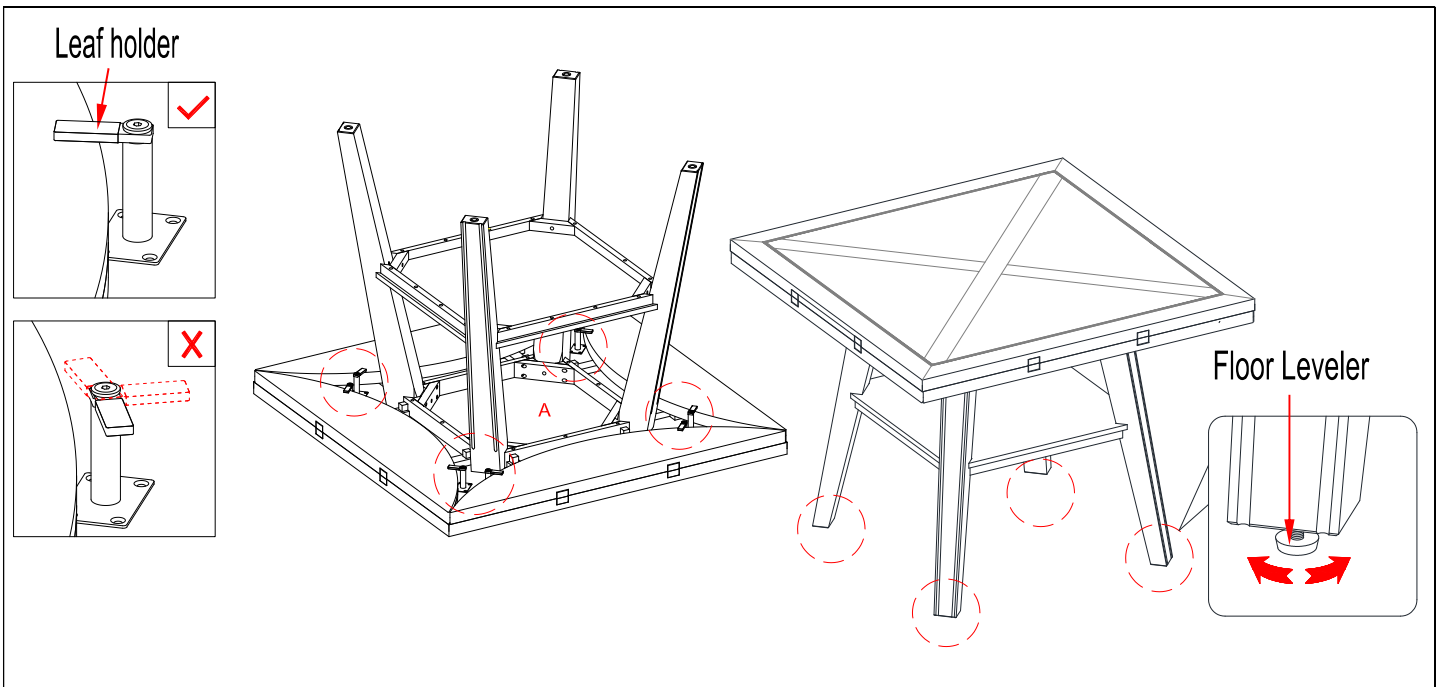


1. Position the table top (A) upside down on a level and protective surface.
2. Align and attach four legs (B) to the apron corners of the table top (A) by using four bolts (AA) with lock washers (BB) and flat washers (CC) through the corner blocks and screw into the threaded inserts in legs. **DO NOT** fully tighten the bolts until after the shelf is installed in step 3.

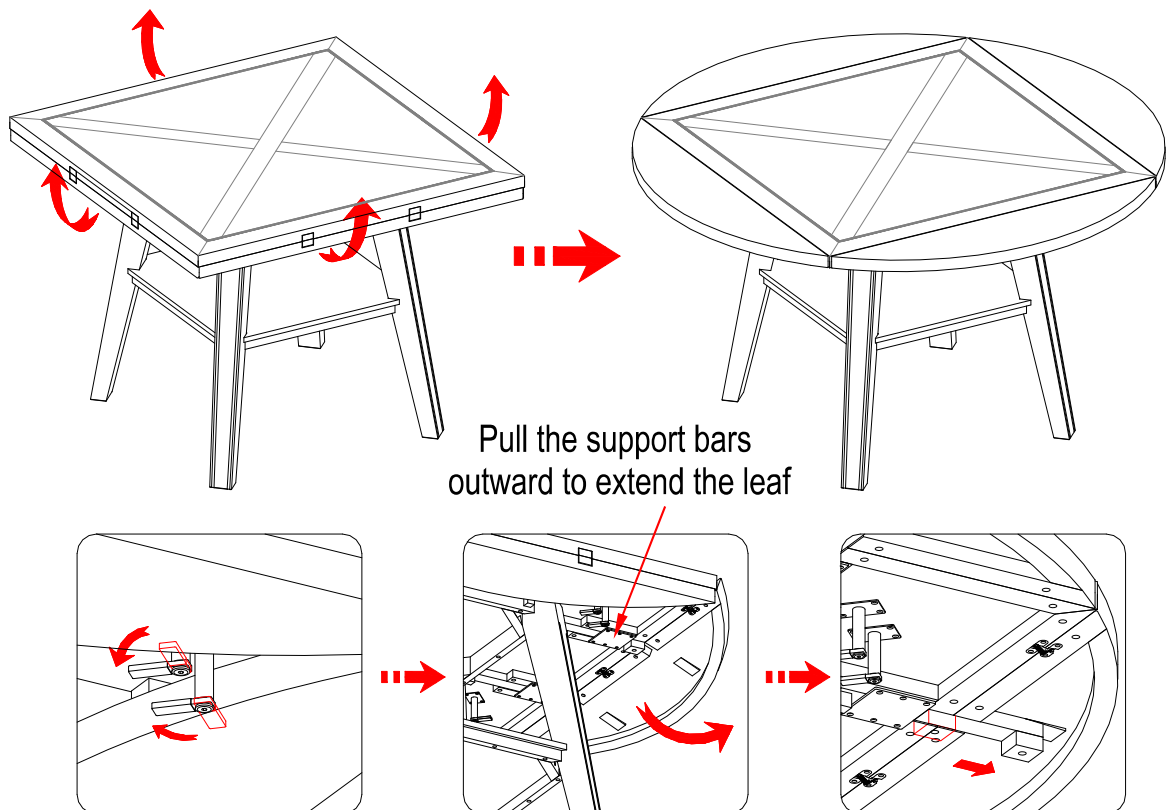


3. Fit the shelf panel (C) among four legs (B) making sure the mounting holes on corner blocks aligned with the threaded inserts on legs properly. Insert four bolts (AA) with the washers (BB and CC) through the corner blocks and screw into place. Securely tighten all the bolts with the provided hex-key wrench.

Assembly Instructions

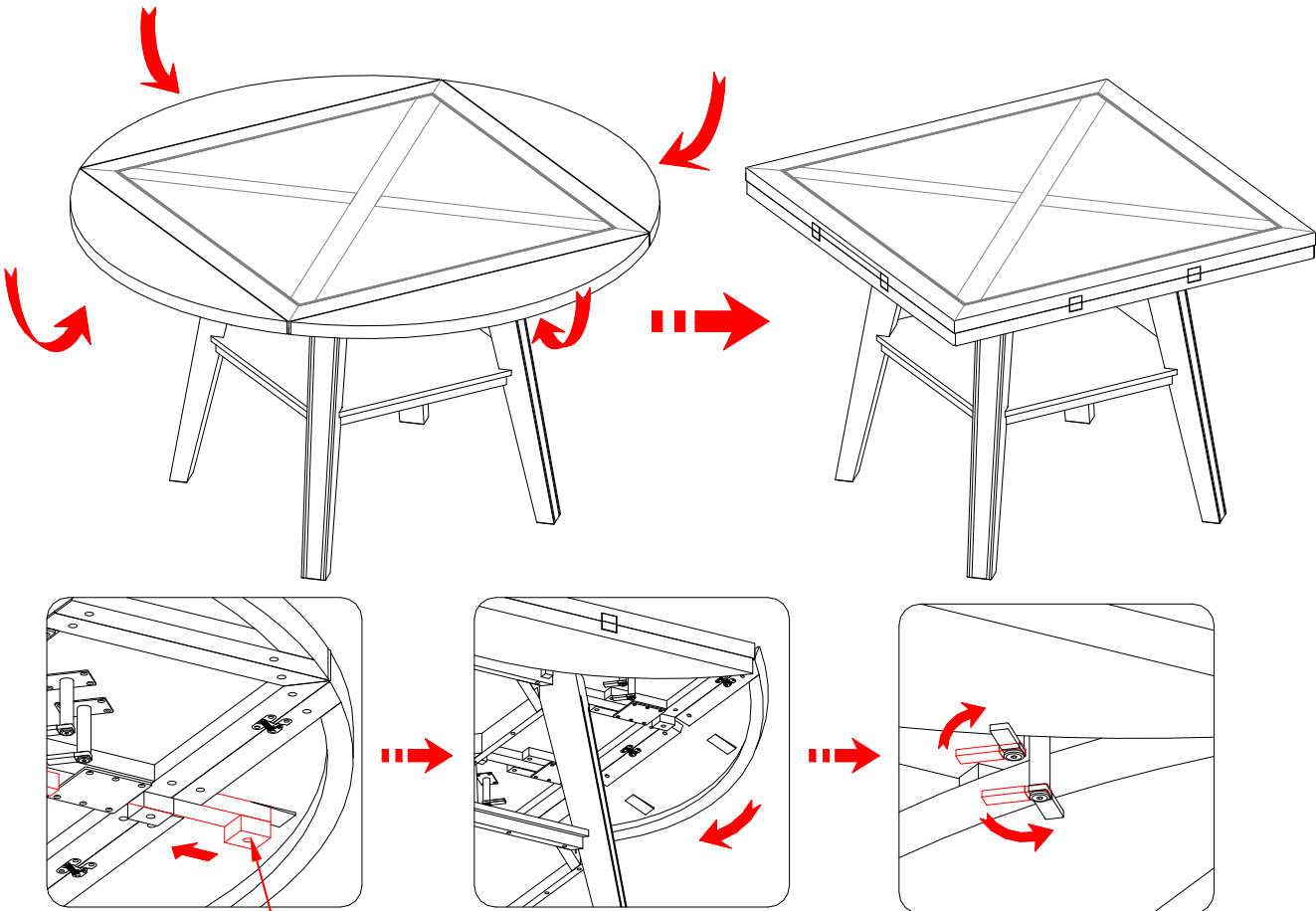


4. Ask for assistance to lift the unit upright and position it at the desired location. Ensure the table leaves holders are in place when turning the table upright to prevent leaf from swing open.
5. If necessary, adjust the pre-attached floor levelers at the bottom of legs (B) to level the unit.



6. The four side leaves are designed to be extended or folded as desired. To extend the side leaf, rotate the leaf holders underneath the table top (A) and unfold the leaf upwards.
7. Pull the two support bars outward to extend the desired leaf.

Assembly Instructions



Push the support bars inward to fold the leaf

- 8. To fold the side leaves, push the support bars inward to drop down the desired leaf and fold to the underside of table top (A). Rotate the leaf holders to fix the leaf into place.

Care and Maintenance

- Use a soft, clean cloth that will not scratch the surface when dusting.
- Use of furniture polish is not necessary. Should you choose to use polish, test first in an inconspicuous area.
- Using solvents of any kind on your furniture may damage the finish.
- Never use water to clean your furniture as it may cause damage to the finish.
- Always use coasters under beverage glasses and flowerpots.
- Liquid spills should be removed immediately. Using a soft, clean cloth, blot the spill gently. Avoid rubbing.
- Always use protective pads under hot dishes and plates. Heat can cause chemical changes that may create spotting within the furniture finish.
- In the event that your furniture is stained or otherwise damaged during use, we recommend that you call a professional to repair your furniture.
- Check bolts/screws periodically and tighten them if necessary.

Further Advice about Wood Furniture Care

It is best to keep your furniture in a climate-controlled environment. Extreme temperature and humidity changes can cause fading, warping, shrinking and splitting of wood. It is advised to keep furniture away from direct sunlight as sun may damage the finish.

Proper care and cleaning at home will extend the life of your purchase. Following these important and helpful tips will enhance your furniture as it ages.

We hope you enjoy your purchase for many years.
Thank you for your purchase!

Quality Guarantee (Not Valid in Mexico)

We are confident that you will be delighted with your Bayside Furnishings® purchase.

Should this product be defective in workmanship or materials or fail under normal use, we will repair or replace it for up to one (1) year from date of purchase. Every Bayside Furnishings® product is designed to meet your highest expectations. We guarantee that you will immediately see the value of our fine furniture.

This warranty gives you specific legal rights and you may also have other rights, which vary from state to state or province to province.

AUSTRALIA: Our goods come with guarantees that cannot be excluded under the Australian Consumer Law. You are entitled to a replacement or refund for a major failure and for compensation for any other reasonably foreseeable loss or damage. You are also entitled to have the goods repaired or replaced if the goods fail to be of acceptable quality and the failure does not amount to a major failure.

Customer Service: 1-877-494-2536 (English, French, Spanish)
Pacific Standard Time: 8:30 a.m. - 4:30 p.m., Monday to Friday
(Valid in U.S. and Canada only)
www.baysidefurnishings.com

MADE IN VIETNAM / FABRIQUÉ AU VIETNAM / HECHO EN VIETNAM