



9-Piece Dining Set

ITM. / ART. 1119053

Model # CSC9PD-4

ASSEMBLY INSTRUCTIONS

IMPORTANT, RETAIN FOR FUTURE REFERENCE: READ CAREFULLY

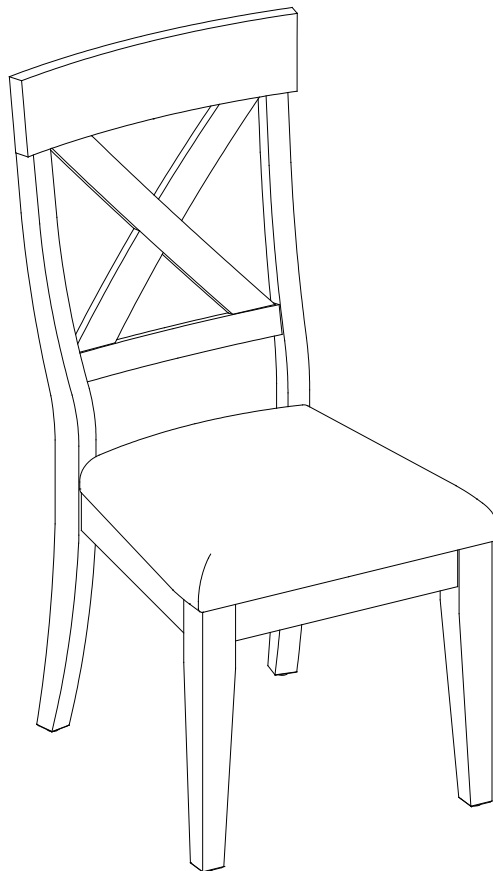
If you have any questions regarding assembly or if parts are missing, DO NOT return this item to the store where it was purchased. Please call our toll-free customer service number and have your instructions and parts list ready to provide the model name, part name or factory number:

1-877-494-2536 (English, French and Spanish)

Pacific Standard Time: 8:30 a.m. - 4:30 p.m., Monday to Friday
(In U.S. and Canada only)

Or visit our website www.baysidefurnishings.com

For customer service outside of North America, please e-mail your request to
parts@baysidefurnishings.com



GENERAL INFORMATION AND TIPS

1. This product is for indoor domestic use only.
2. Please read the Assembly Instructions prior to assembling this product.
3. To avoid damage, assemble the product on a non-abrasive surface such as a carpet surface.
4. Make sure all bolts and screws are tightly fastened before the unit is used.
5. Check that all bolts, screws and knobs are tight at least every 3 months or as needed.
6. Refer to your assembly manual for maximum weight capacities.
7. Do not push furniture, especially on carpeted floor. Have someone help you lift the item and place it in its new location.

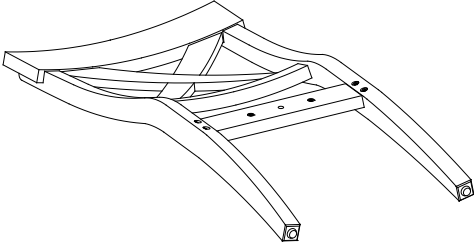
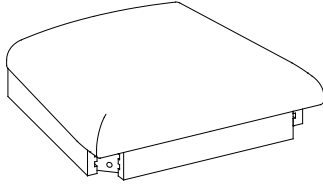
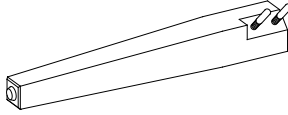
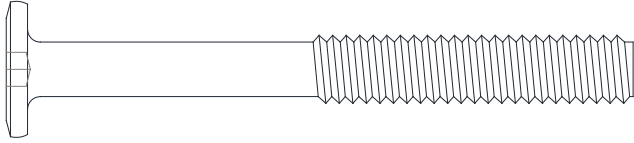
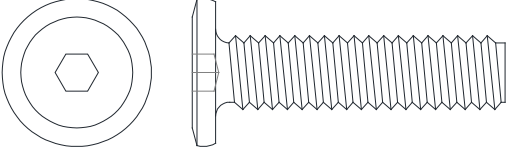
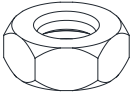
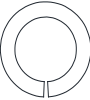
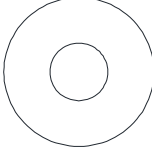
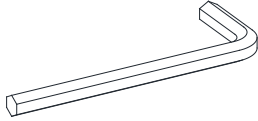

Please make sure you have all parts before beginning assembly. Do not fully tighten all bolts until you finish assembling all parts. Once assembled, go back and fully tighten all bolts. This will make the assembly easier. We recommend using two people for assembly.

MAXIMUM RECOMMENDED WEIGHT LOADS

1. Maximum load weight on chair is 136 kg / 300 lb.

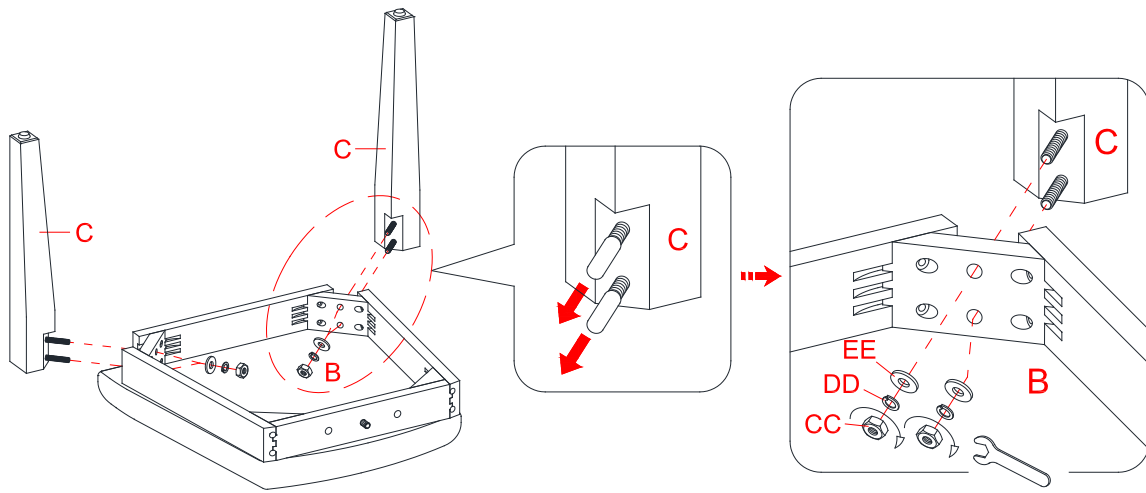
 **WARNING THIS UNIT IS INTENDED FOR USE ONLY WITH THE MAXIMUM WEIGHTS INDICATED. USE WITH LOAD HEAVIER THAN THE MAXIMUM WEIGHTS INDICATED MAY RESULT IN INSTABILITY CAUSING POSSIBLE INJURY.**

Parts and Hardware List

PART #	PART DESCRIPTION	PART FIGURE	QUANTITY
A	Backrest		2
B	Seat Frame with Cushion		2
C	Chair Front Leg		4
AA	Bolt		8+1 extra
BB	Bolt		4+1 extra
CC	Hex Nut		8+1 extra
DD	Lock Washer		20+1 extra
EE	Flat Washer		20+1 extra
	Hex Wrench		1
	Open Wrench		1

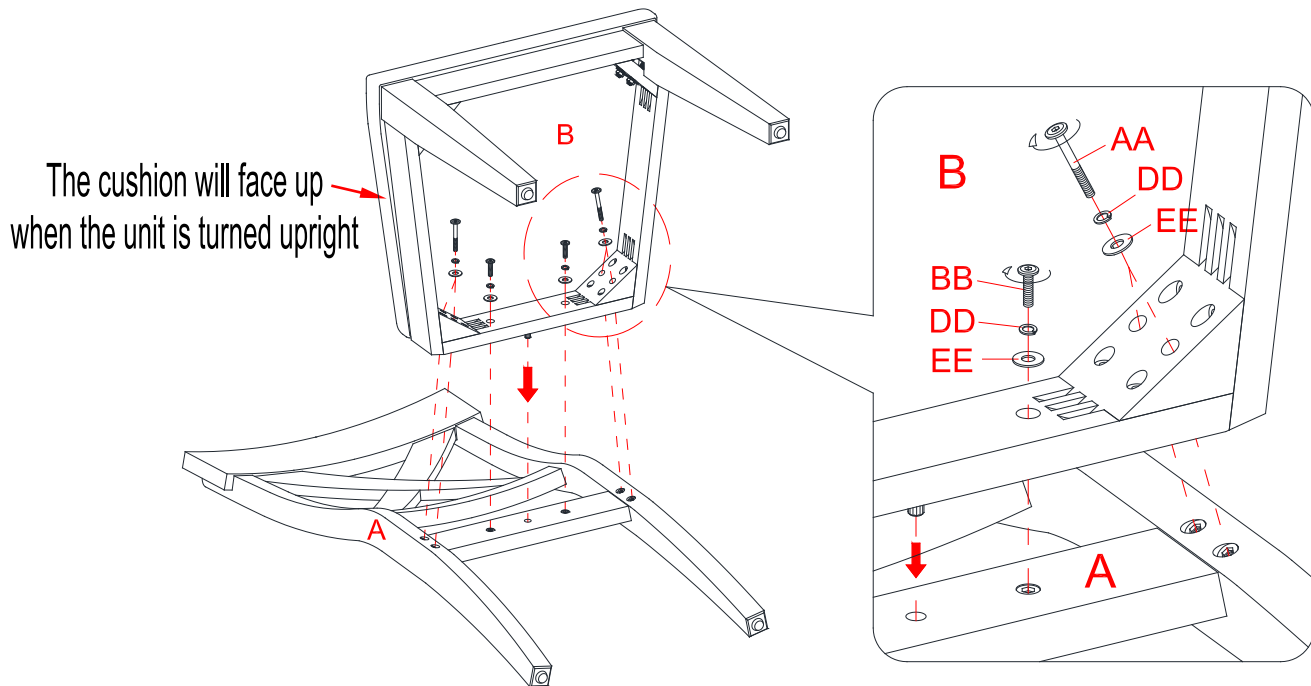
Tools required: Hex wrench and open wrench (included).

Assembly Instructions



1. Remove the plastic caps from the hanger bolts of the front legs (C) for the following steps.
2. Attach two front legs (C) to the front corner blocks of the seat frame (B) by inserting the hanger bolts through the drilled holes on the corner blocks and fit the flat washer (EE), lock washer (DD) and hex nut (CC) onto each hanger bolt. Securely tighten the nuts with the provided open wrench.

NOTE: DO NOT fully tighten all the nuts until the chair has been adjusted and all the legs are levelled so that they do not wobble. Once adjusted then go back and tighten while making sure that the unit remains level.



3. Lay one backrest (A) on a smooth and protective surface with the threaded inserts facing up.
4. Attach the assembled seat frame (B) to the middle rail of the backrest (A). Insert four bolts (AA) with lock washers (DD) and flat washers (EE) through the drilled holes on the seat frame (B) at rear corner blocks and loosely tighten into the threaded inserts on the backrest (A).
5. Secure the seat frame (B) to the backrest (A) by inserting two bolts (BB) with the washers (DD and EE) through the drilled holes on the rear rail of the seat frame.
6. Stand the assembled chair upright on a flat surface. Press down the seat cushion (B) to even all legs. Now, tightly fasten all bolts and nuts with the provided hex wrench and open wrench.
7. Repeat the same procedure to assemble the other chair.

Care and Maintenance

- From time to time please ensure there are no loose nuts on the product.
- Use a soft, clean cloth that will not scratch the surface when dusting.
- Use of furniture polish is not necessary. Should you choose to use polish, test first in an inconspicuous area.
- Using solvents of any kind on your furniture may damage the finish.
- Never use water to clean your furniture as it may cause damage to the finish.
- Liquid spills should be removed immediately. Using a soft, clean cloth, blot the spill gently. Avoid rubbing.
- Always use protective pads under hot dishes and plates. Heat can cause chemical changes that may create spotting within the furniture finish.
- In the event that your furniture is stained or otherwise damaged during use, we recommend that you call a professional to repair your furniture.
- Check bolts/screws periodically and tighten them if necessary.

Further Advice about Wood Furniture Care

It is best to keep your furniture in a climate-controlled environment. Extreme temperature and humidity changes can cause fading, warping, shrinking and splitting of wood. It is advised to keep furniture away from direct sunlight as sun may damage the finish.

Proper care and cleaning at home will extend the life of your purchase. Following these important and helpful tips will enhance your furniture as it ages.

We hope you enjoy your purchase for many years.
Thank you for your purchase!

Quality Guarantee (Not Valid in Mexico)

We are confident that you will be delighted with your Bayside Furnishings® purchase.

Should this product be defective in workmanship or materials or fail under normal use, we will repair or replace it for up to one (1) year from date of purchase. Every Bayside Furnishings® product is designed to meet your highest expectations. We guarantee that you will immediately see the value of our fine furniture.

This warranty gives you specific legal rights and you may also have other rights which vary from state to state or province to province.

AUSTRALIA: Our goods come with guarantees that cannot be excluded under the Australian Consumer Law. You are entitled to a replacement or refund for a major failure and for compensation for any other reasonably foreseeable loss or damage. You are also entitled to have the goods repaired or replaced if the goods fail to be of acceptable quality and the failure does not amount to a major failure.

Customer Service: 1-877-494-2536 (English, French, Spanish)
Pacific Standard Time: 8:30 a.m. - 4:30 p.m., Monday to Friday
(Valid in US and Canada only)
www.baysidefurnishings.com

MADE IN VIETNAM / FABRIQUÉ AU VIETNAM / HECHO EN VIETNAM